



Hoesch® isodach

TR X 135

1 Panel | 3 Components | 5 Bases

OUR FLAT ROOF SYSTEM: VERSATILE. UNCOMPLICATED. STRONG.



1 PANEL | 3 COMPONENTS | 5 BASES

HOESCH® isodach TRX 135

Our newest product, the Hoesch® isodach TRX 135, is a high quality roof panel consisting of three components: Sealing, insulation, trapezoid profile. The trapezoidal profile system with IPN insulation core can be used on all types of buildings having a roof pitch of at least 2% (corresponds to 1.15°).

The installed Hoesch® T-135.1 trapezoid profile, with integrated sealing and insulation as well as a closed cell structure, gives the panel its high quality and efficiency.

This design achieves optimum functionality. The span is based on the integrated trapezoid profile with a profile height of 135 mm.

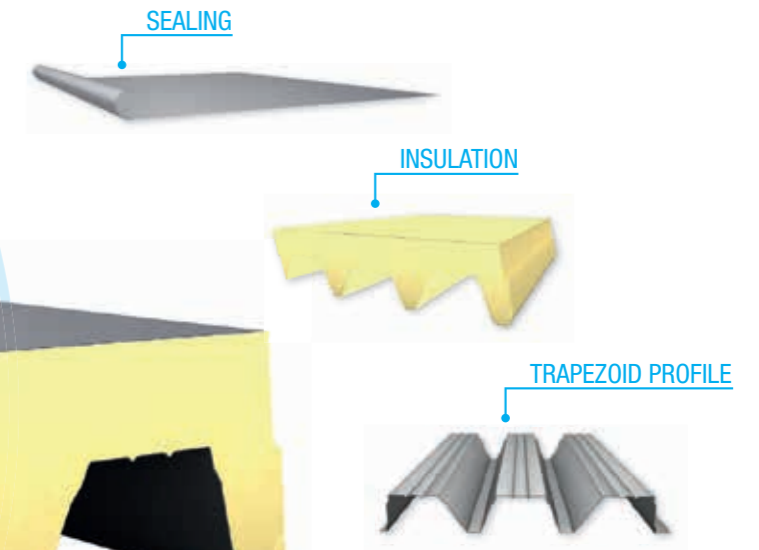
1st available variant: Hoesch® isodach TRX 135 XM
Flat-roof system with factory-applied PVC sealing film

High airtightness and impressive heat protection

Stepjoint creates an airtight joint.

IPN insulation core, completely foamed profile

HOESCH® trapezoid profile



ONE SYSTEM. ONE SUPPLIER

- Supply of the ready-to-assemble panel to the building site
- Coordination of the different components is unnecessary

TIME SAVING

- Building planning of durations and deadlines is easier
- Short installation times on the building site
- Installation is partially independent of weather
- No additional temporary sealing-off required to prevent seeping under roof seal/insulation

24 METER DELIVERED IN LENGTHS UP TO 24 METRES

- Significant time-saving during installation on the building site, especially for large areas (T-135.1 spans)

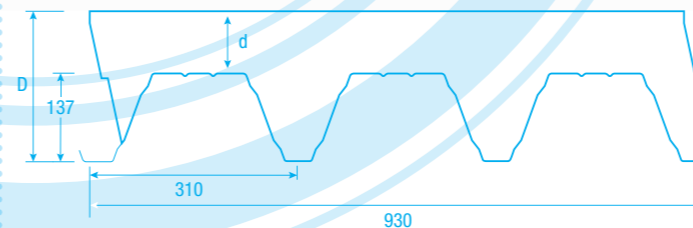
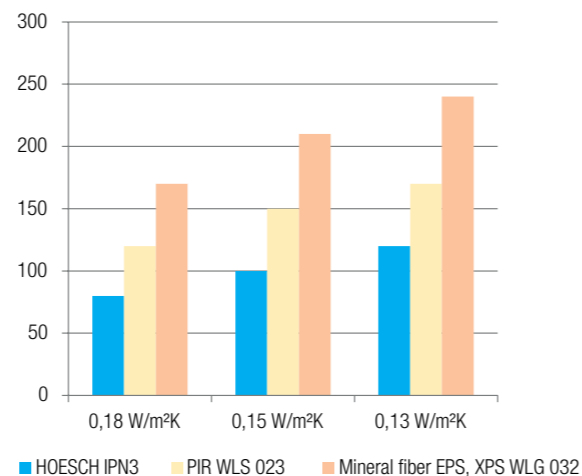
HEAT INSULATION

- Outstanding, dependable heat insulation combined with low structural strength requirements
- Low dead weight of Hoesch® isodach TRX 135 enables cost savings for substructure

FIRE PROTECTION

COMPARISON OF INSULATION MATERIAL THICKNESSES

In order to achieve the same U-value, various insulation thicknesses are necessary.



QUALITY WITH AESTHETICS – THE T-135.1 TRAPEZOID PROFILE

The Hoesch® trapezoidal profile is our classic product, has been installed worldwide, and is recommended around the globe. Through its unique versatility, the profile integrates optimally with the Hoesch® isodach TRX 135.

Making large roof surfaces attractive has always proven to be a problem. With our unique product, we are happy to face this task. Both functional and versatile, the Hoesch® isodach TRX 135 provides optimum solutions for every flat roof project. But only through the use of the trapezoidal profile will the corresponding aesthetics also be achieved, so that your flat roof becomes a real eye-catcher. *Square metre after square metre: top quality.*

ELEMENT VARIANTS

- Core thicknesses: 80 mm, 100 mm, and 120 mm
 - Sheet metal thicknesses: 0.75 mm, 0.88 mm, and 1.00 mm
 - Various design variants possible for weather-side sealing.
- 1st available variant: Hoesch® isodach TRX 135 XM (XM: PVC sealing film)

CONSTRUCTION VALUES WITH IPN3 CORE

Element thickness (D)	Core thickness (d)	Heat transition coefficient (U)
[mm]	[mm]	[W/(m²K)]
217	80	0.18
237	100	0.15
257	120	0.13



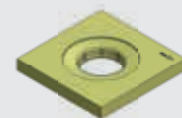
SitaTrendy DN90 – gravity drainage

- Compact construction
- High discharge volume
- Simple installation
- Low weight
- With permanent foamed-in connection collar or screw flange
- Material: polyurethane



SitaDSS Profi – pressure flow drainage

- High discharge volume
- Simple installation
- Low weight
- With permanent foamed-in connection collar or screw flange
- Material: polyurethane



Sita insulating element, 60 mm

- Pressure resistant
- Dimensionally stable, and with preformed contours
- Material: polyurethane



SitaMore overflow element – for emergency drainage; gravity and pressure flow drainage

- Material: polyamide
- For combination with Sita roof gullies
- With cover that can be screwed closed
- Material: polyamide



SitaVent system ventilator DN70/100 with protective grille or rainhood – for ventilation of spaces and sewers

- With permanent foamed-in connection collar
- Available as cable and pipe port, and renovation ventilator
- Material:

Main body:	polyurethane
Ventilation pipe:	polyethylene
Rain shield:	polyamide



SitaVent pipe port DN100

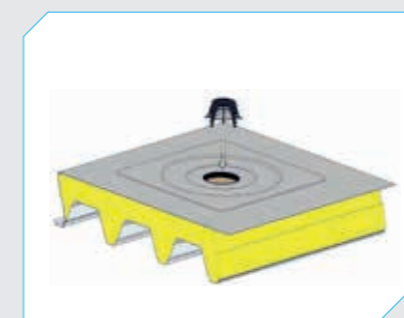
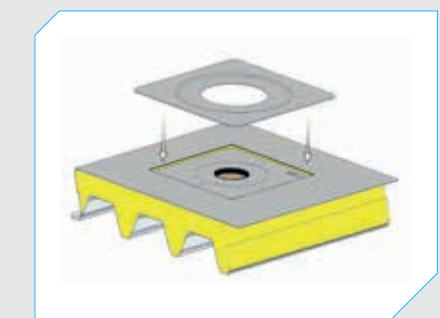
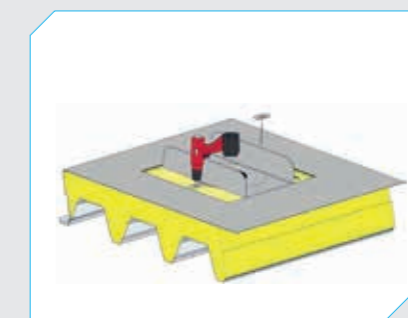
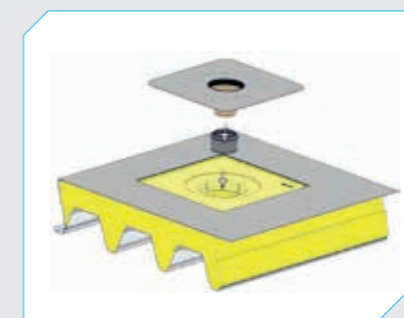
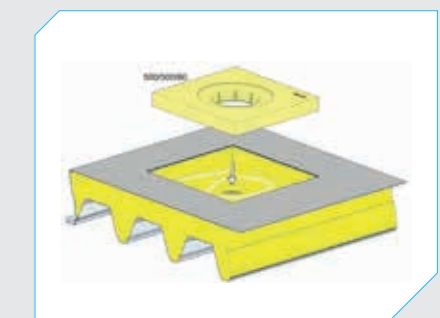
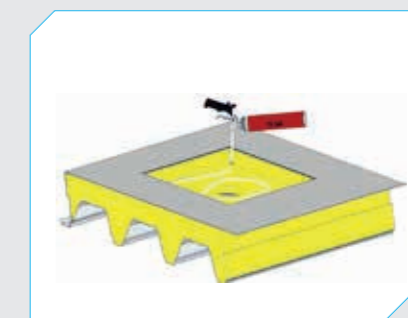
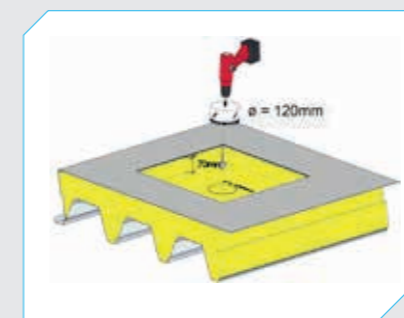
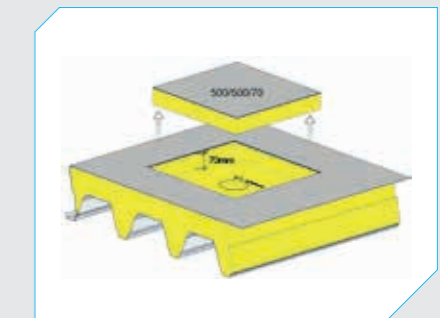
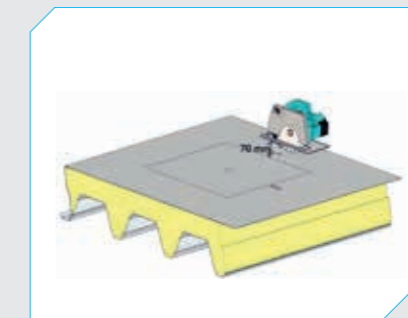
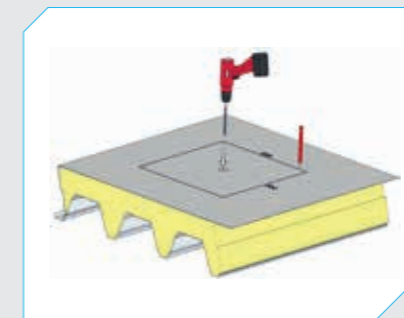
- With permanent foamed-in connection collar
- Cable and pipe port
- Material:

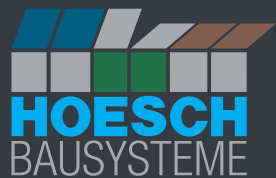
Main body:	Polyurethane
Ventilation pipe:	Polyethylene
Rain shield:	Polyamide



ABS-Lock OnTop – attachment point for flat roof

- Sheetting
- No penetration of roof
- Flat roof
- DIN EN 795
- For welding on
- Three persons
- Stainless steel
- Transverse load





The individual specifications in this publication are guaranteed characteristics only if they are expressly confirmed as such in writing in each case. Subject to technical changes. 03/2018

HOESCHBAUSYSTEME GMBH

Hammerstrasse 11 | 57223 Kreuztal, Germany

Phone: +49 (0) 27 32 599 1 599 | Fax: +49 (0) 27 32 599 1 271 | info@hoesch-bau.com | www.hoesch-bau.com